



## Metal bellows coupling, TYPE 55 - up to 25 Nm

### Characteristics:

- Corrosion-resistant aluminium hubs, stainless steel metal bellows
- Operational temperature up to 100°C (please call us in case of higher temperatures)
- No backlash
- High rotational speeds possible
- Maintenance free and non-wearing

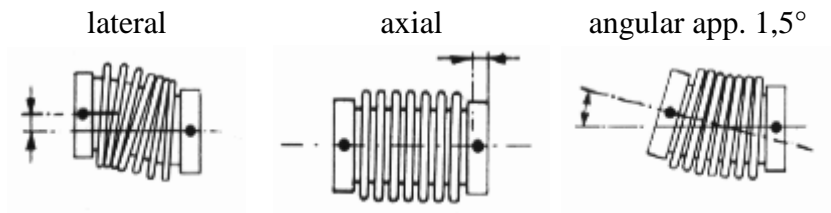
### Application:

For installation in

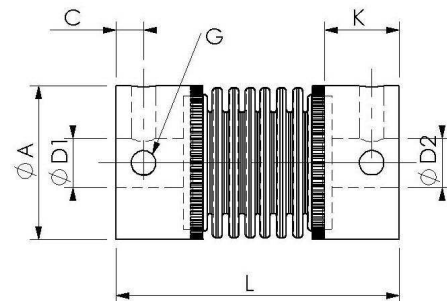
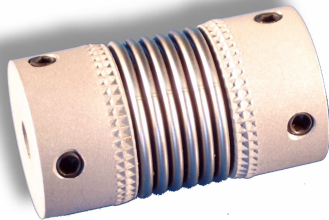
- Stepped motors
- Impulse drives
- Measuring systems
- Low output drives, etc.

Simple clamping is obtained by use of the clamping screws (DIN 916). The relationship between the moment of inertia and the torsion rigid is very pleasant, because of the thin metal bellows.

### Shaft misalignment



### TYPE 55 up to 25 Nm, mounting hub pressed



Size	M <sub>N</sub> (Nm)	Allowed shaft misalignment in mm (lateral)	Allowed shaft misalignment in mm (axial)	Moment of inertia (app. g cm <sup>2</sup> )	app. weight (in g)	Spring constant (Torque Nm/rad)	L	A	G (DIN 916)	D1/D2	D1/D2 (Standard)	C
20	1,9	0,10	0,30	12	18	680	31,5	20	M4	5...12	6H7	3
25	3,7	0,13	0,40	37	38	1320	44	25	M5	6...15	10H7	4,5
40.1	9	0,17	0,50	305	105	3350	61	40	M8	10...24	12H7	5,5
40.2	14,5	0,17	0,50	312	110	5600	61	40	M8	10...24	12H7	5,5
55.1	25	0,17	0,50	920	230	10400	72	54	M10	15...30	16H7	7

## Metal bellows coupling TYPE 50 - up to 25 Nm