



Metal bellows coupling TYPE 402 - up to 900 Nm

Characteristics:

- Aluminium hubs welded to metal bellows
- Operational temperature of up to 250°C for short time , lasting up to 150°C
- No backlash and torsionally rigid
- Maintenance free and non-wearing
- High rotational speeds possible

Available with plastic inserts for high impact resistance on request.

Application:

Size 16 up to 40:

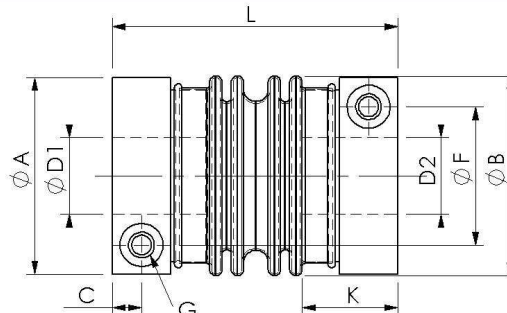
Predominantly used for systems with high torsionally rigidity.

Size 55 up to 122:

Predominantly used for mounting of servo-drives with very high torsionally rigidity.

- Machine tools
- Industrial robots
- Handling systems
- Packing machines
- Textile machines
- Wood- working- machines
- Transfer systems etc.

TYPE 402 up to 900 Nm , mounting hub welded



Size	M _N (Nm)	Allowed shaft misalignment in N/mm (lateral)	Allowed shaft misalignment in N/mm (axial)	Moment of inertia (app. 10 ⁻³ kg m ²)	Weight (app. In g)	Spring constant (Torque 10 ³ Nm/rad)	L	A	B	G (DIN EN ISO 4762) (Old DIN 912)	D1/D2	C	K	F
16	0,7	0,10	0,30	3,5	10	216	28	16	16	M2,5	3...6	3	8,5	10
20	1,9	0,10	0,30	12	16	680	29	20	20	M2,5	3...8	3	8,5	13
25	3,7	0,13	0,40	32	35	1320	41	25	25	M3	3...12	4,5	11,5	17
40.1	9	0,17	0,50	2	100	3350	57	40	40	M5	6...20	5,5	13,5	27
40.2	14,5	0,17	0,50	250	110	5600	57	40	40	M5	10...20	5,5	13,5	27
40.3	19	0,17	0,50	270	115	8800	56	40	40	M5	14...20	5,5	13,5	27

Continued on next page



More sizes of TYPE 402:

Size	M_N (Nm)	Allowed shaft misalignment in N/mm (lateral)	Allowed shaft misalignment in N/mm (axial)	Moment of inertia (app. 10^{-3} kg m ²)	Weight (app. In g)	Spring constant (Torque 10^3 Nm/rad)	L	A	B	G (DIN EN ISO 4762) (Old DIN 912)	D1/D2	C	K	F
55.1	25	0,17	0,50	800	200	10400	68	50	55	M6	14...25	7,25	18,5	34
55.2	38	0,17	0,50	900	220	17600	68	50	55	M6	15...25	7,25	18,5	34
56	50	0,20	0,50	1600	310	19000	78	59	56	M6	15...32	7,5	21	42
56.1	74	0,20	0,50	1750	330	28000	78	59	56	M6	18...32	7,5	21	42
56.2	90	0,20	0,50	1900	350	35000	78	59	56	M6	22...32	7,5	21	42
66S	115	0,20	0,50	2400	410	56000	91	59	66	M8	22...32	9,5	26	40
66.1S	155	0,20	0,50	2700	450	84000	91	59	66	M8	25...32	9,5	26	40
66.2S	175	0,20	0,50	2800	460	95000	91	59	66	M8	28...32	9,5	26	40
66L	115	0,20	0,50	3750	520	56000	91	69	66	M8	22...38	9,5	26	48
66.1L	155	0,20	0,50	4100	560	84000	91	69	66	M8	25...38	9,5	26	48
66.2L	175	0,20	0,50	4200	570	95000	91	69	66	M8	28...38	9,5	26	48
82S	190	0,20	0,50	7400	750	94000	111	79	82	M10	25...40	10,5	28	52
82.1S	250	0,20	0,50	7850	790	120000	111	79	82	M10	28...40	10,5	28	52
82.2S	310	0,20	0,50	9100	870	163000	111	79	82	M10	32...40	10,5	28	52
82L	190	0,20	0,50	10750	940	94000	111	89	82	M10	25...50	10,5	28	64
82.1L	250	0,20	0,50	11200	970	120000	111	89	82	M10	28...50	10,5	28	64
82.2L	310	0,20	0,50	12500	1050	163000	111	89	82	M10	32...50	10,5	28	64
101	305	0,20	0,50	19200	1300	159000	126	99	101	M12	30...50	12	32	68
101.1	440	0,20	0,50	20900	1370	228000	126	99	101	M12	35...50	12	32	68
101.2	510	0,20	0,50	23100	1460	311000	126	99	101	M12	38...50	12	32	68
122	500	0,20	0,50	45300	2140	293000	141	119	122	M14	36...60	14	36	82
122.1	730	0,20	0,50	47400	2200	424000	141	119	122	M14	40...60	14	36	82
122.2	900	0,20	0,50	51400	2340	505000	141	119	122	M14	48...60	14	36	82